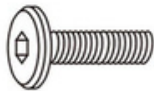


Montageanleitung

Wandregal small H4H306

Zubehörliste

A



M6×12mm

2Stk

B



M8×75mm

2Stk

C



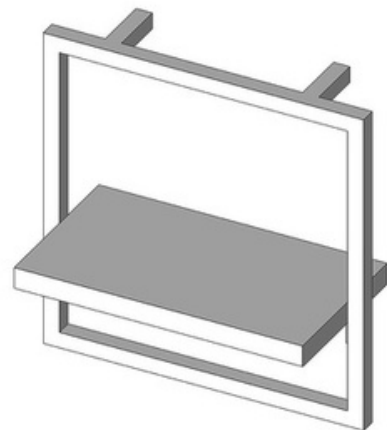
M6×75mm

2Stk

D

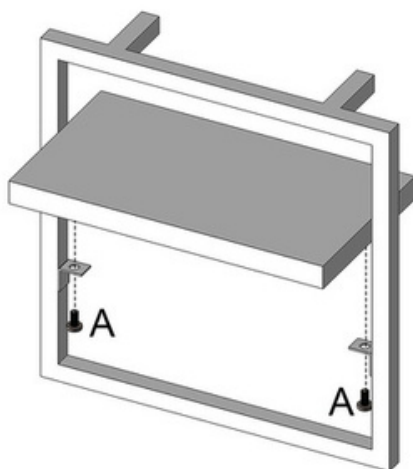


1Stk

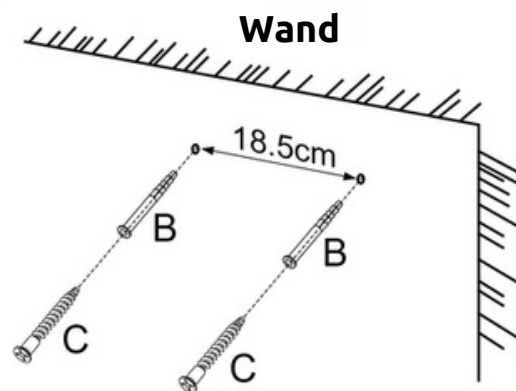


Aufbau

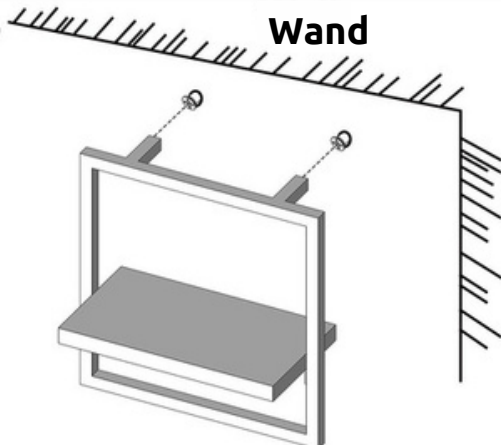
①



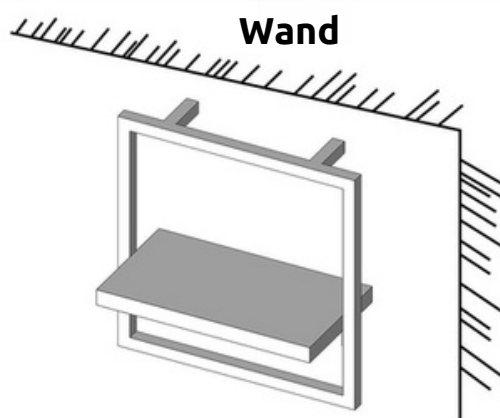
②



③

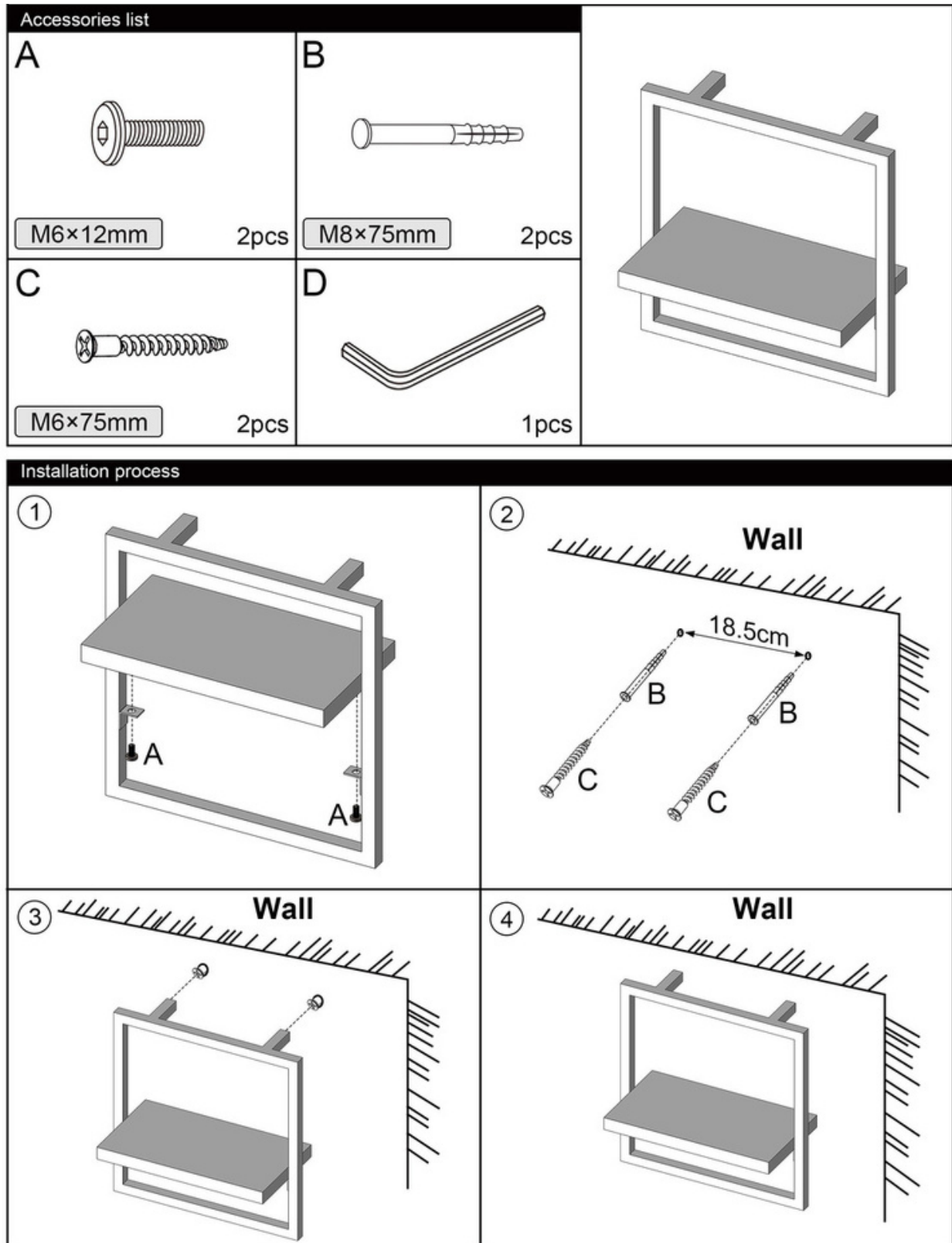


④



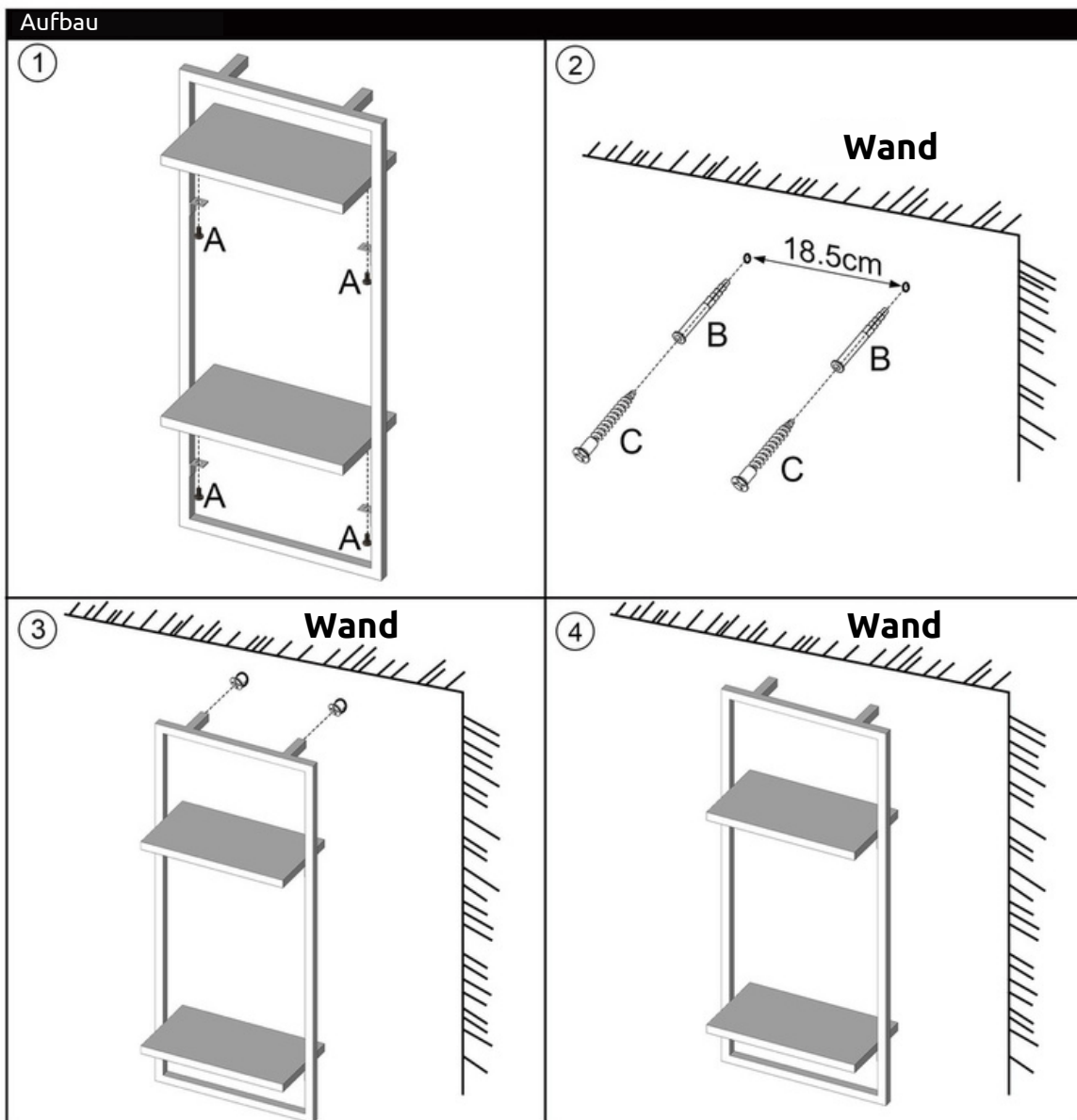
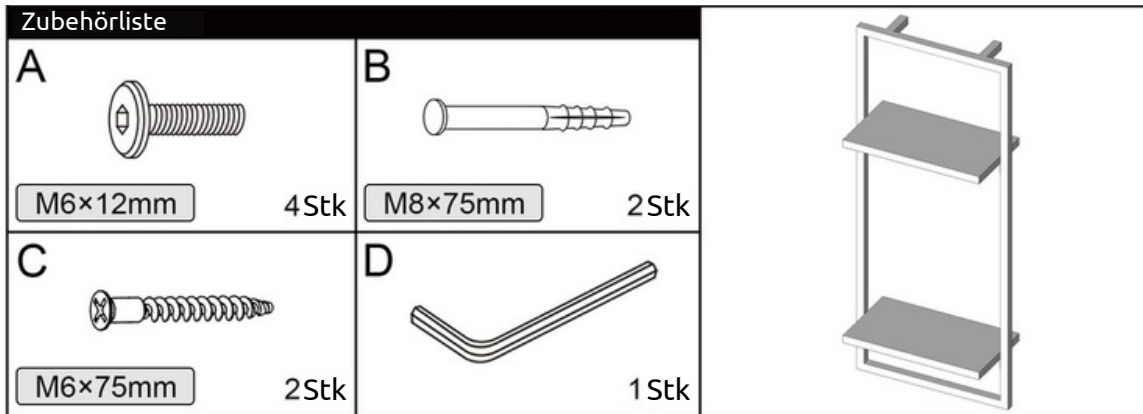
Assembly Instruction

Wall shelf small H4H306



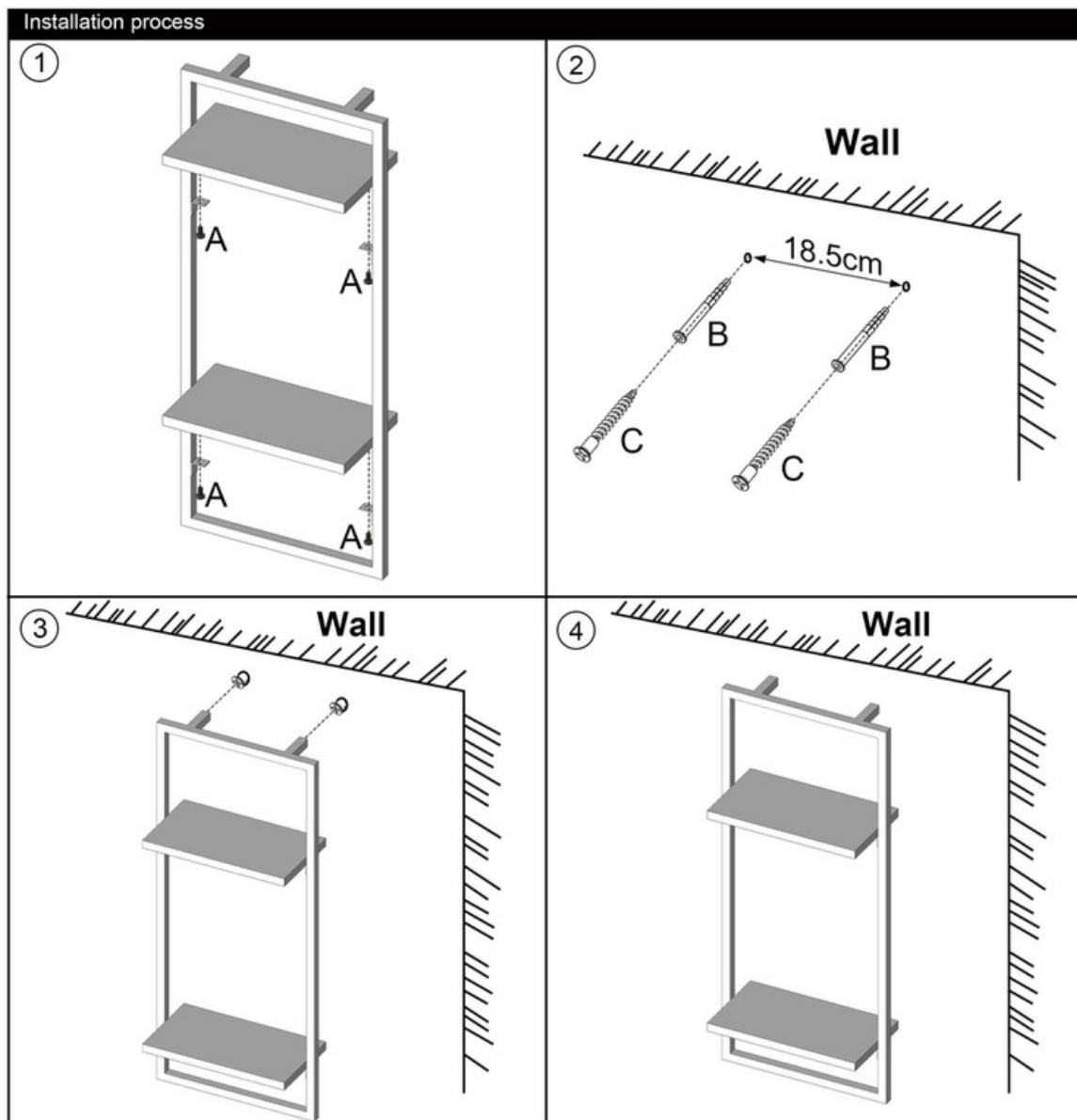
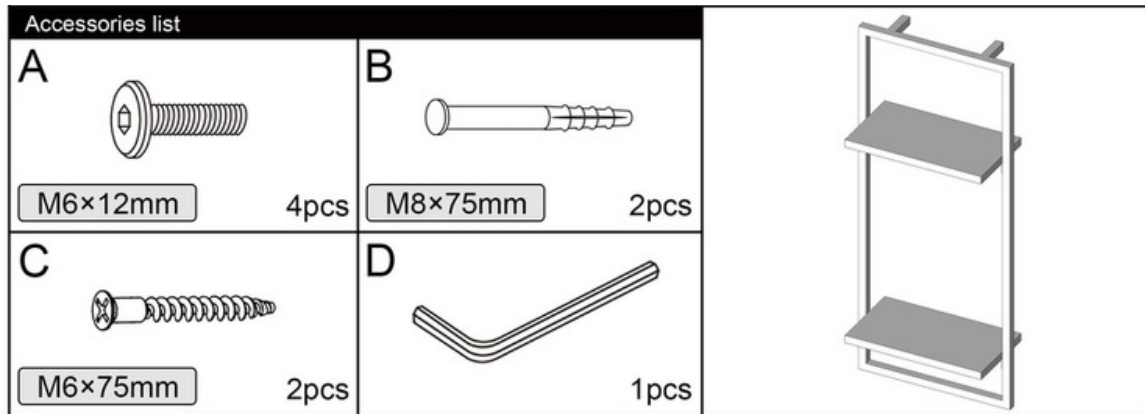
Montageanleitung

Wandregal high H4H307



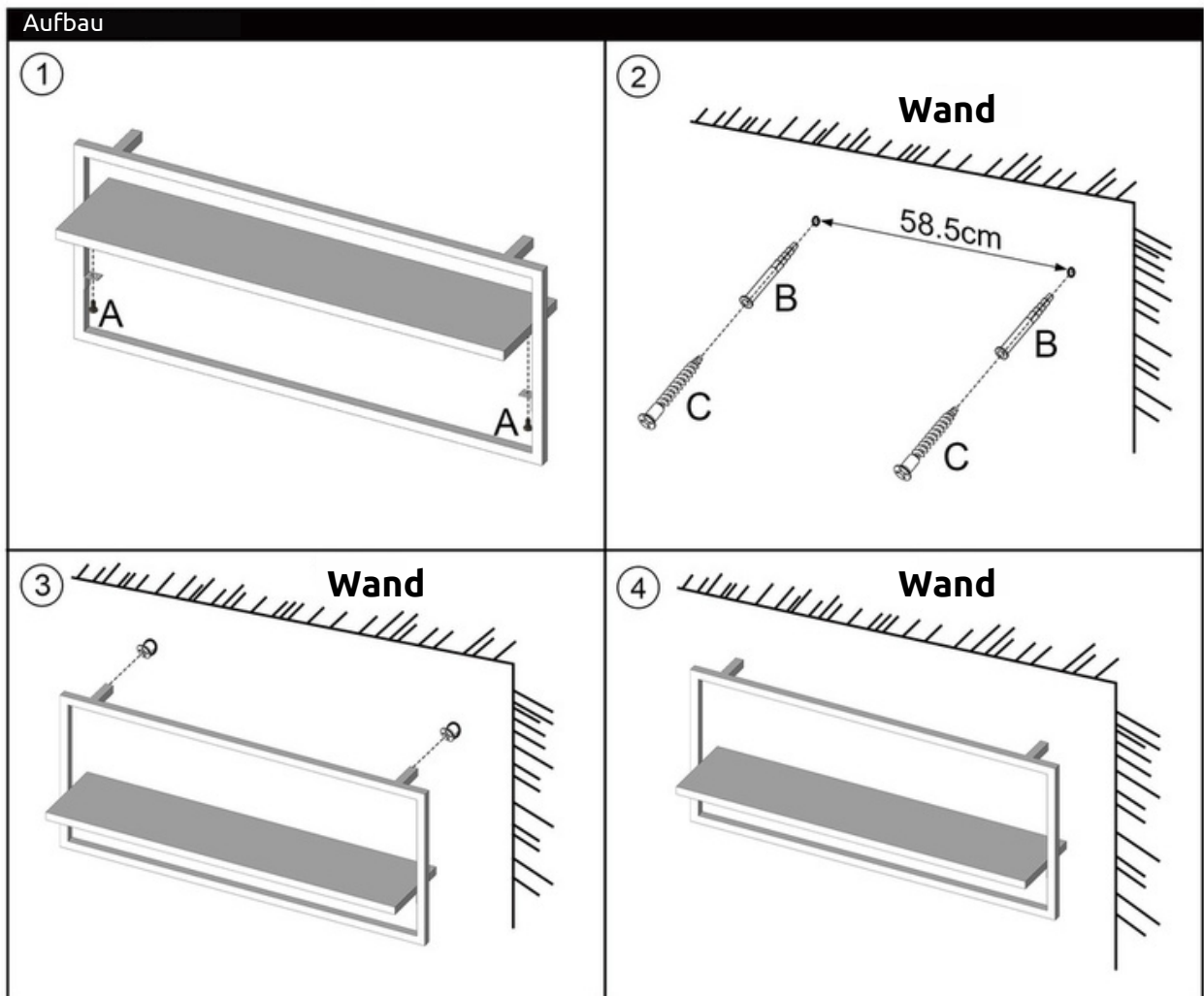
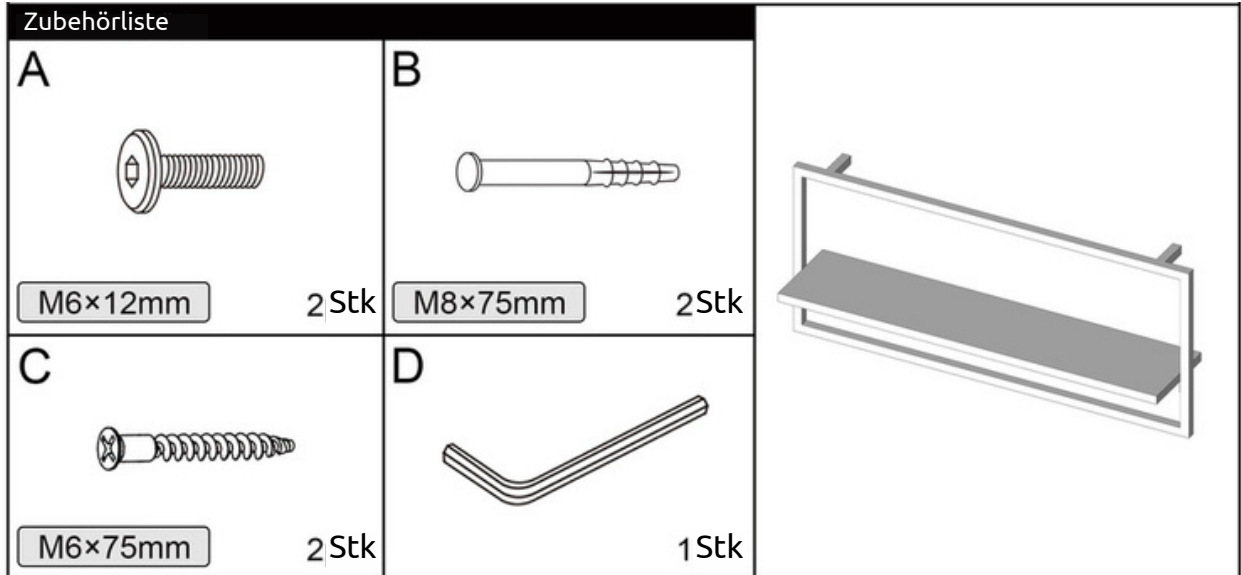
Assembly Instruction

Wall shelf high H4H307



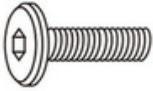

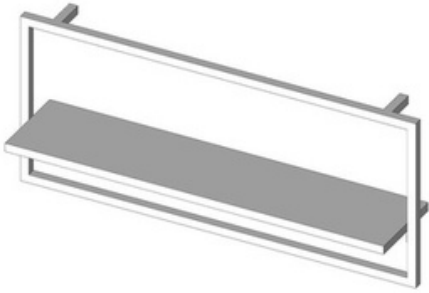


Montageanleitung

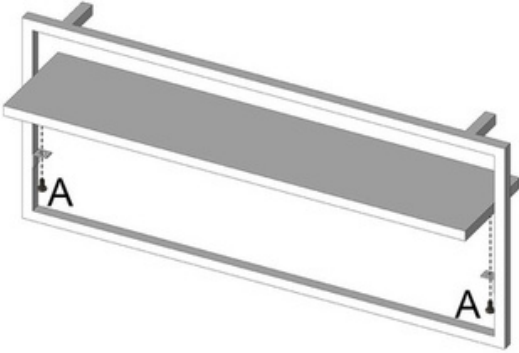
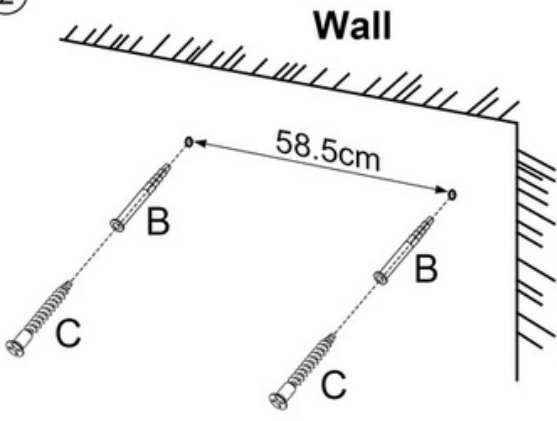
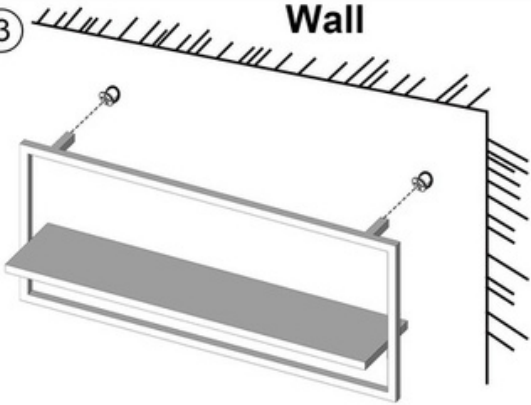
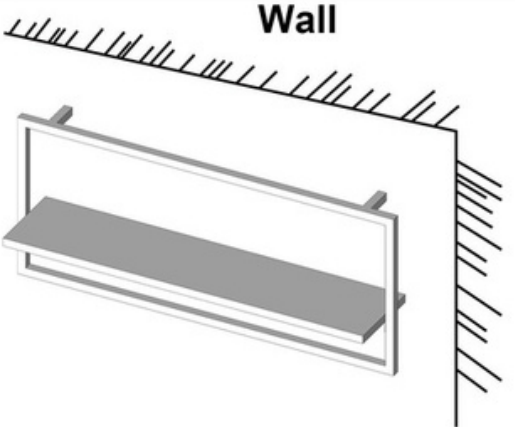
Wandregal long H4H308



Assembly Instruction

Wall shelf long H4H308

Accessories list			
A  M6×12mm 2pcs	B  M8×75mm 2pcs		
C  M6×75mm 2pcs	D  1pcs		

Installation process	
① 	②  <p>Wall</p> <p>58.5cm</p> <p>B</p> <p>C</p>
③  <p>Wall</p>	④  <p>Wall</p>